

IN LINE COUPLING BODY (NON VALVED)

Part #: **VCM1304**

Connection Type: Ferrule-less Tube Fitting

Material: Brass

Material Finish: Chrome Plated

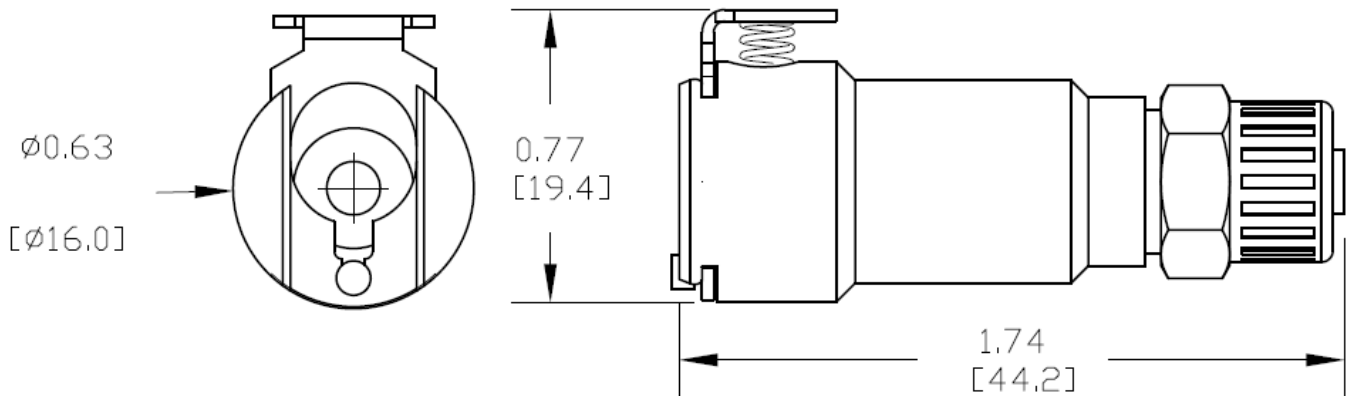
Pressure Range: Vacuum to 250 psi, 17.3 bar

Temp. Range: -40°F to 180°F (-40°C to 82°C)

Mounting Option: Inline Ferruleless Polytube Fitting

Tube size: 1/4" OD, .17" ID (6.4mm OD, 4.3mm ID)

Valve Option: Non-Valve



Components:

Main Body: Chrome Plated Brass

Thumb Latch: Stainless Steel

External Spring: Stainless Steel